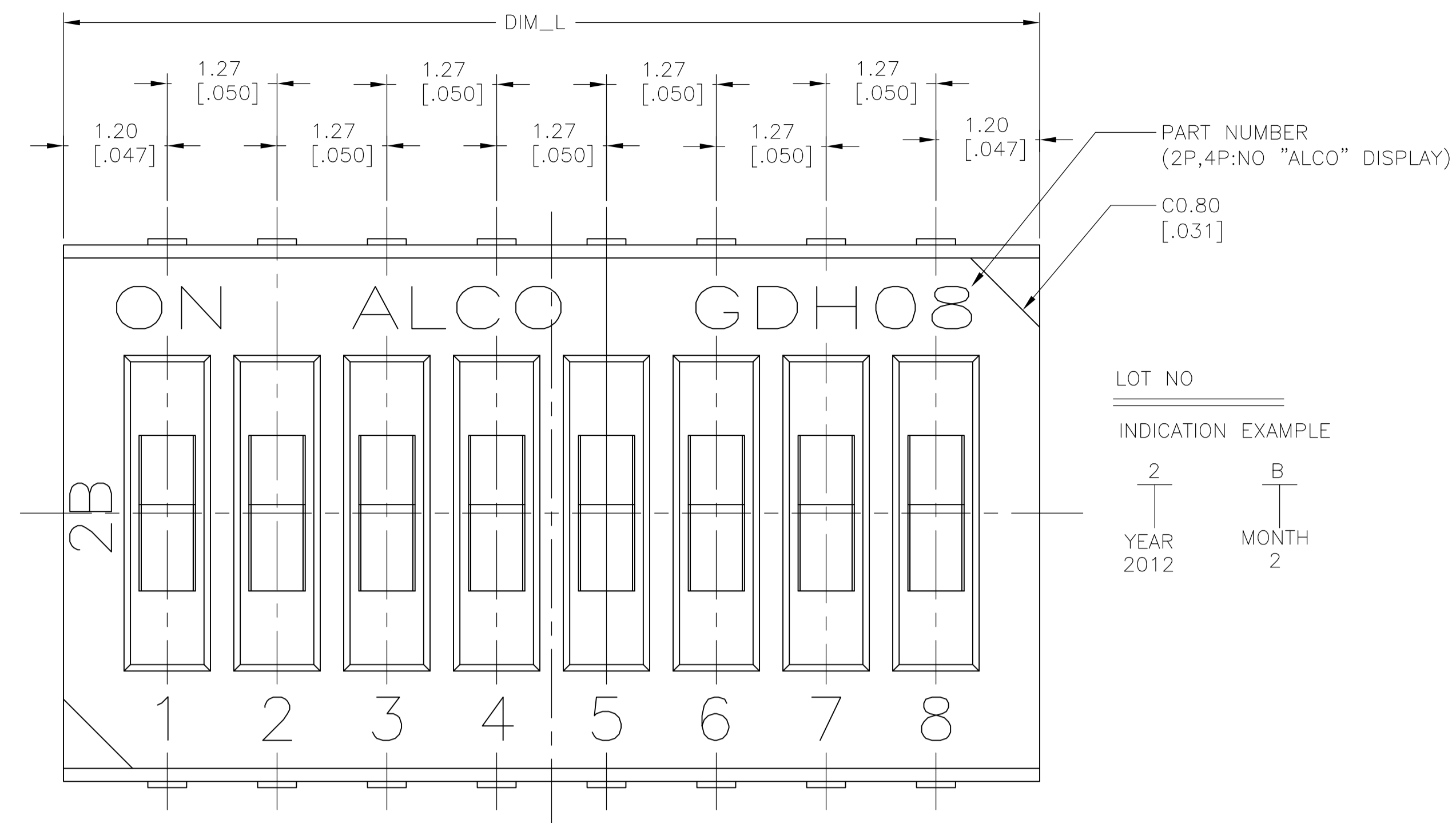


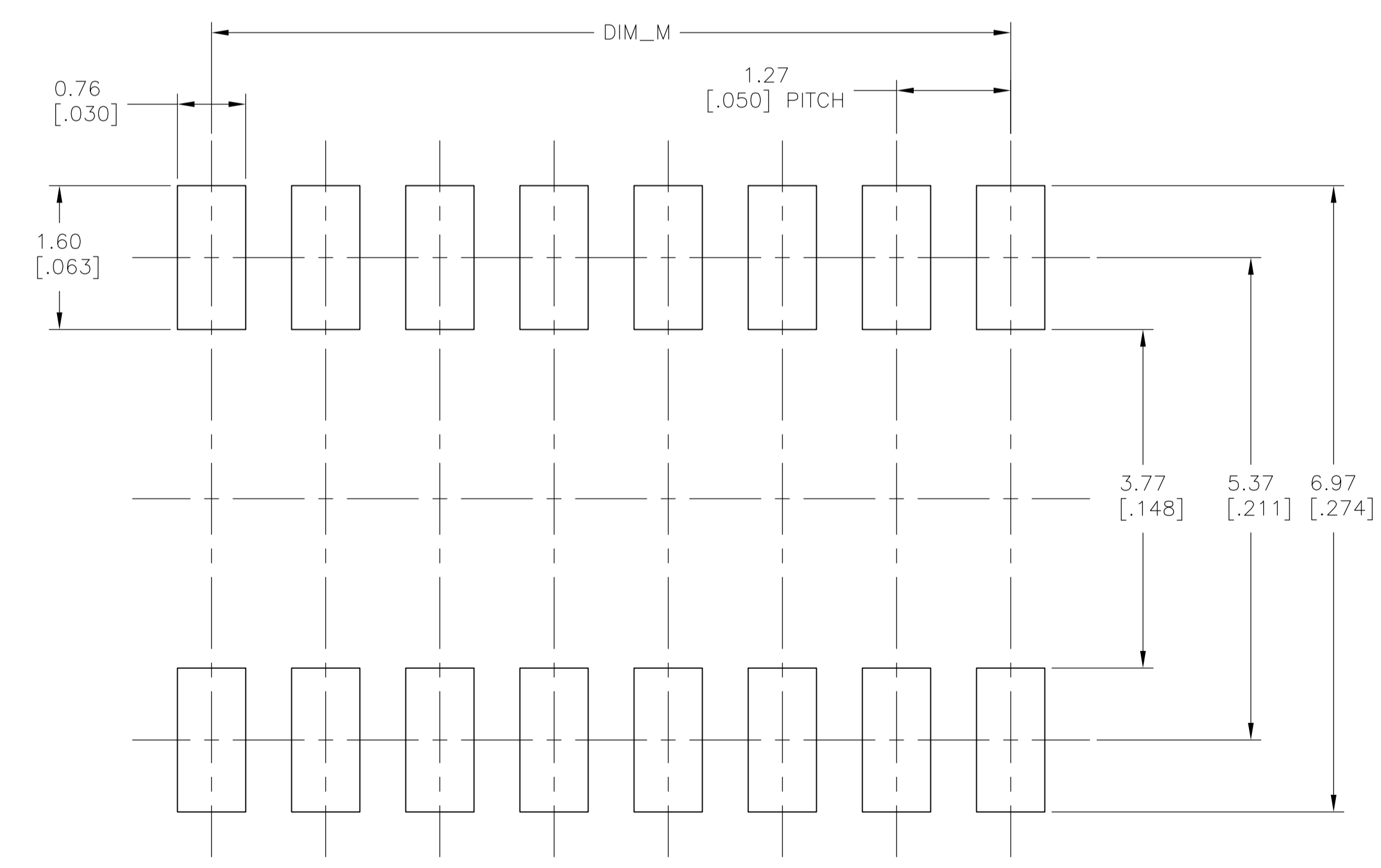
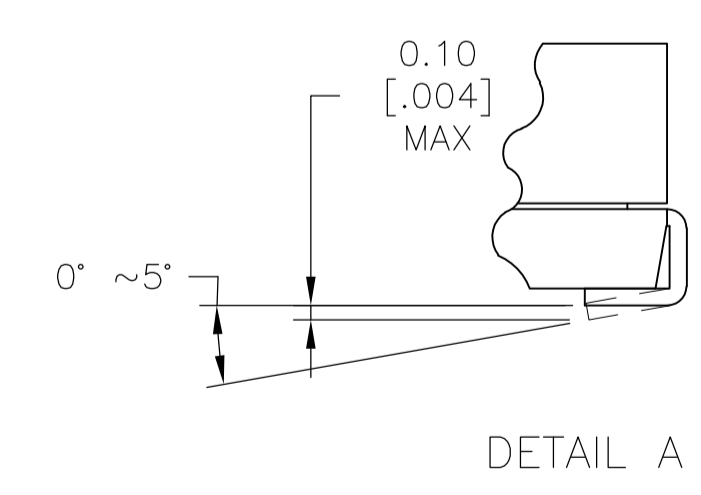
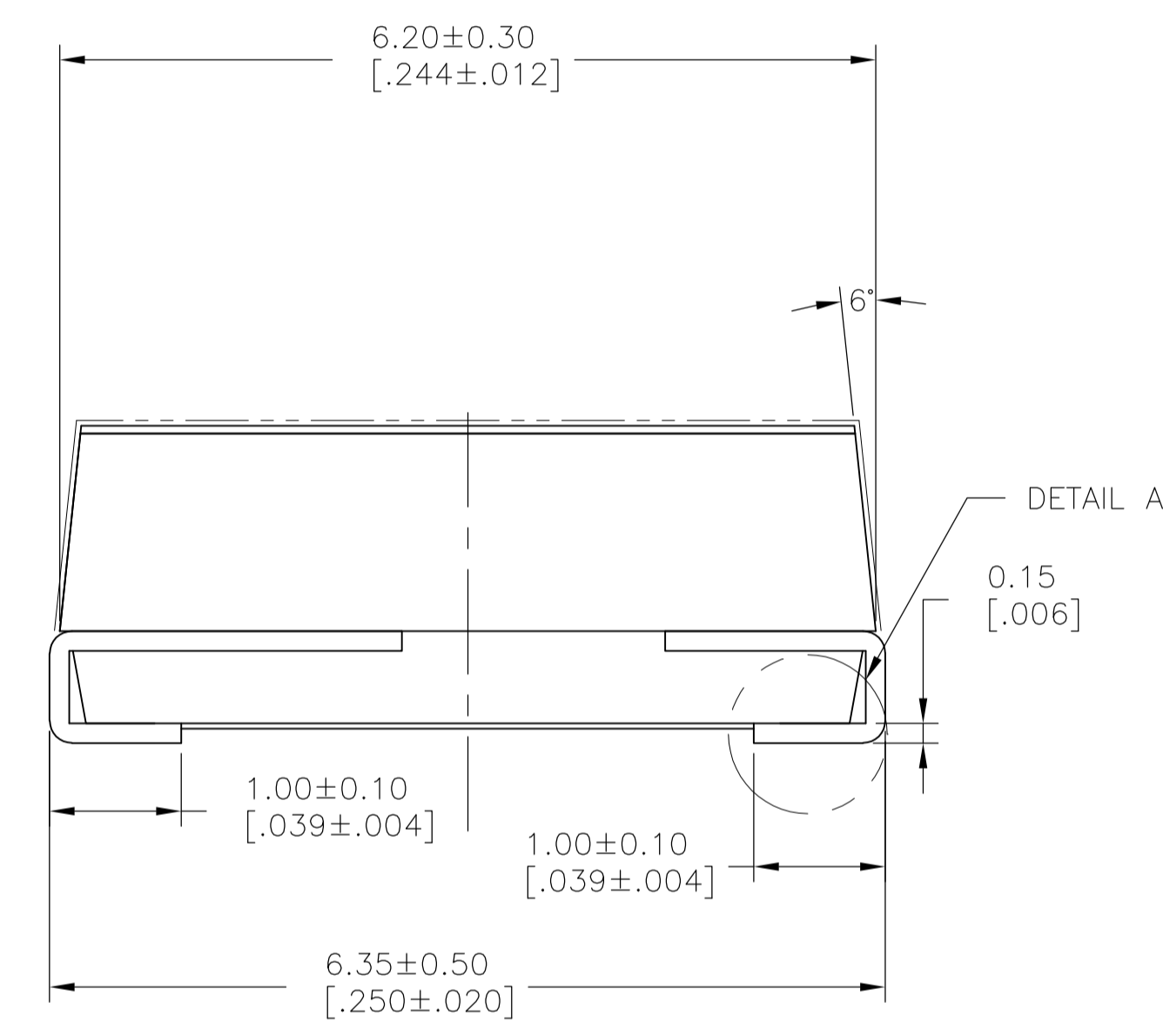
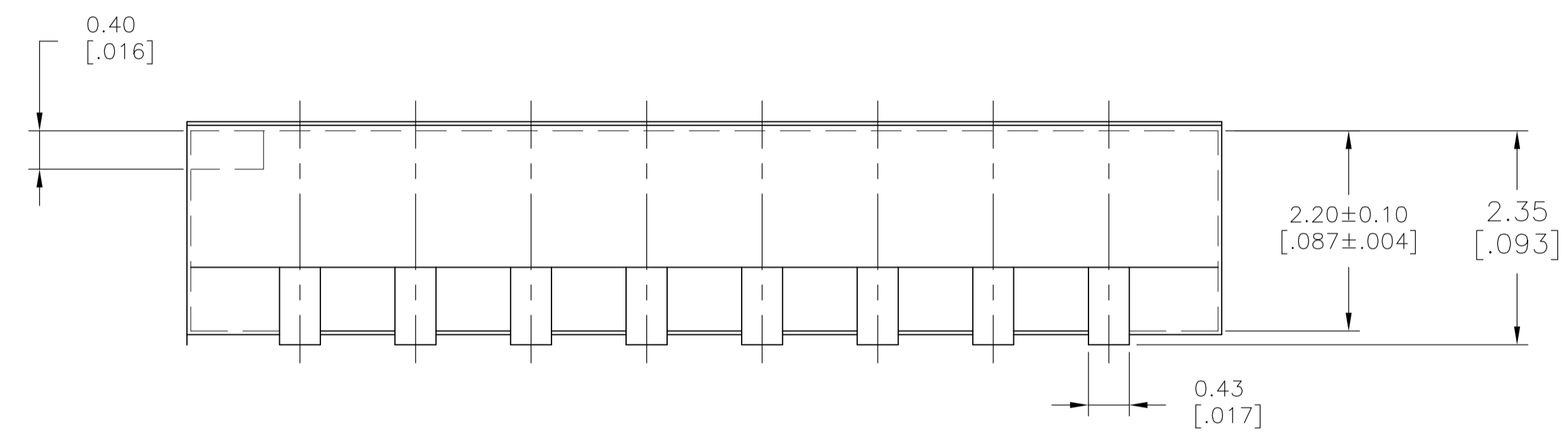
REVISED		REVISIONS			
NO.	DATE	DESCRIPTION	DATE	BY	APP'D
B	REVISED PER ECO-12-011893		27JUN12	KH	PO



LOT NO  
 INDICATION EXAMPLE  
 2 B  
 YEAR MONTH  
 2012 2

**SPECIFICATIONS:**  
**MATERIALS:**  
 CASE-PPS UL94V-0, BLACK  
 COVER-PPS UL94V-0, BLACK  
 ACTUATOR-LCP UL94V-0, WHITE  
 FIXED CONTACT-COPPER ALLOY, GOLD OVER NICKEL PLATE  
 MOVING CONTACT-COPPER ALLOY, GOLD OVER NICKEL PLATE  
 TERMINAL-COPPER ALLOY, GOLD OVER NICKEL PLATE  
 TAPE SEAL-POLYIMIDE FILM  
**ELECTRICAL:**  
 CONTACT RATING: NON-SWITCHING: 100 MILLIAMPS @50VDC  
 SWITCHING: 25 MILLIAMPS @24 VDC  
 INITIAL CONTACT RESISTANCE: 100 MILLIOHMS MAX. @2VDC, 10mA.  
 CONTACT RESISTANCE(AFTER TESTS): 300MILLIOHMS MAX.@2VDC.10mA,  
 INSULATION RESISTANCE: 100 MEGOHMS MIN @100VDC  
 DIELECTRIC STRENGTH: 300 VAC, 1MINUTE.  
 LIFE EXPECTANCY: 1000 CYCLES MIN.  
**MECHANICAL:**  
 ACTUATION FORCE: 4.94(490gf) MAX.  
**ENVIRONMENTAL:**  
 OPERATING TEMPERATURE: -30°C TO +85°  
 STORAGE TEMPERATURE: -45°C TO +100°C  
 SOLDER HEAT RESISTANCE PER 109-201, CONDITION B SWITCH IN OFF POSITION  
 SOLDER ABILITY PER JIS C 0050 & JIS C 0053.

- NOTES:**
- SUPPLIED WITH TAPE SEAL STANDARD
  - SWITCH IS TO HAVE OVERALL HEIGHT AS SHOWN
  - ALL MATERIALS AND FINISHES SHALL COMPLY WITH EU DIRECTIVE 2002/95/EC OF 27JAN2003 (ROHS)
  - SUPPLIED PACKAGED IN A TUBE.



MOUNTING PAD DIMENSIONS(5/1)

POS	DIM M	DIM L	ALCO DISCRPTION	TE P/N
10	11.43[.450]	13.83[.544]	GDH10SA04	1977830-5
8	8.89[.350]	11.29[.444]	GDH08SA04	1977830-4
6	6.35[.250]	8.75[.344]	GDH06SA04	1977830-3
4	3.81[.150]	6.21[.244]	GDH04SA04	1977830-2
2	1.27[.05]	3.67[.144]	GDH02SA04	1977830-1
POS	DIM M	DIM L	ALCO DISCRPTION	TE P/N
		±0.50[.020]		

THIS DRAWING IS A CONTROLLED DOCUMENT.

DIMENSIONS: mm [INCHES]	TOLERANCES UNLESS OTHERWISE SPECIFIED:	DRAWING NO: A1 00779	SCALE: 20:1
0 PLC ± -	1 PLC ± -	2 PLC ± -	3 PLC ± 0.40[016]
4 PLC ± -	ANGLES ± -	WEIGHT: -	SHEET 1 OF 1

**STE** TE Connectivity

SERIES GDH  
GDH02SA04~GDH10SA04

CUSTOMER DRAWING